



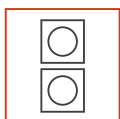
# PROVEN PERFORMER

## Vended Laundry

STENXA (stack washer/dryer - electric),  
STGNXA (stack washer/dryer - gas)

### Stack washer/dryer features

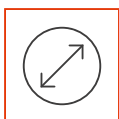
- Improved suspension with new out-of-balance logic manages and redistributes unbalanced loads for uninterrupted wash cycles
- Water use as low as 44.3 litres per cycle to reduce operating costs
- Extended Tumble helps eliminate wrinkling by tumbling for two minutes at 20 minute intervals if the dryer door isn't opened
- Just like their stand-alone counterparts, Speed Queen stacks are 100 percent front serviceable to limit downtime for easy service access



STACKABLE UNIT



STANDARD STAINLESS STEEL DRUM



LARGE DOOR OPENING



LOW WATER CONSUMPTION



LOW ENERGY CONSUMPTION



COMPACT DESIGN

### Controls

#### Quantum™ Gold

In addition to its network capabilities with our larger equipment and off-site management features, Quantum™ Gold offers additional owner and customer benefits such as PC programming and machine audit capabilities, as well as time-of-day pricing, a "lucky cycle" for loyal customers and the ability to interface with the store owner's card manufacturer of choice. Cycle modifier keys create additional profit opportunities for store owners.



STENXA, STGNXA



|   | STENXA (Electric)   |                                       | STGNXA (Gas)  |                                       |
|---|---|---------------------------------------|---|---------------------------------------|
| Type                                    | Stack Washer  | Stack Dryer                           | Stack Washer  | Stack Dryer                           |
| Control                                 | Quantum   | Quantum                               | Quantum   | Quantum                               |
| Control location                        | Front   | Front                                 | Front   | Front                                 |
| <b>Drum</b>                             |   |                                       |   |                                       |
| Capacity kg                             | 10  | 10                                    | 10  | 10                                    |
| Cylinder volume litres                  | 96.8  | 198                                   | 96.8  | 198                                   |
| <b>Drum speed</b>                       |   |                                       |   |                                       |
| Spin speed G-Force                      | 440   | n/a                                   | 440   | n/a                                   |
| Spin speed rpm                          | 1200  | n/a                                   | 1200  | n/a                                   |
| <b>Motor</b>                            |   |                                       |   |                                       |
| Motor size kW                           | Variable speed induction 0.67                             | 0.25                                  | Variable speed induction 0.67                             | 0.25                                  |
| <b>Cabinet</b>                          |   |                                       |   |                                       |
| Cylinder finish                         | Stainless steel   | Stainless steel                       | Stainless steel   | Stainless steel                       |
| Colours                                 | White   | White                                 | White   | White                                 |
| Door type (solid/window)                | Window  | Solid or Window                       | Window  | Solid or Window                       |
| <b>Heating</b>                          |   |                                       |   |                                       |
| Heat sources                            | n/a   | Electric                              | n/a   | Gas                                   |
| Heating element (Electric W)            |   | 4000                                  |   | n/a                                   |
| <b>Connection</b>                       |   |                                       |   |                                       |
| Gas inlet connection mm                 | n/a   | n/a                                   | n/a   | 9.5                                   |
| Gas consumption BTU/Hr                  | n/a   | 25,000                                | n/a   | 25,000                                |
| Exhaust outlet dia. mm                  | n/a   | 102                                   | n/a   | 102                                   |
| Exhaust airflow litres/sec              | n/a   | 60 Hz: 105, 50 Hz: 85                 | n/a   | 60 Hz: 105, 50 Hz: 85                 |
| Water temperatures                      | 3   | n/a                                   | 3   | n/a                                   |
| <b>Operation</b>                        |   |                                       |   |                                       |
| Cycles*                                 | Normal, Perm Press, Delicate                              | High, Medium, Low, Delicates, No Heat | Normal, Perm Press, Delicate                              | High, Medium, Low, Delicates, No Heat |
| Water consumption per cycle litres*     | 44.3  | n/a                                   | 44.3  | n/a                                   |
| Water pressure bar                      | 1.4/8.3   | n/a                                   | 1.4/8.3   | n/a                                   |
| Cycle indicator lights                  | Yes   | Yes                                   | Yes   | Yes                                   |
| <b>Power</b>                            |   |                                       |   |                                       |
| Electrical requirements (voltage/Hz/Ph) | 240/50/1  | Electric 20amp                        | 240/50/1  | Gas 10amp                             |
| <b>Transport data</b>                   |   |                                       |   |                                       |
| Net weight kg                           | 177 (combined)  |                                       | 177 (combined)  |                                       |
| Shipping weight kg                      | 193 (combined)  |                                       | 193 (combined)  |                                       |
| Dimensions H×W×D mm                     | 1986×683×704  |                                       | 1986×683×704  |                                       |
| Packing dimensions H×W×D mm             | 2032×737×832  |                                       | 2032×737×832  |                                       |
| <b>Agency approvals</b>                 |   |                                       |   |                                       |
| Available agency approvals              | See price sheet for applicable agency approvals by market |                                       | See price sheet for applicable agency approvals by market |                                       |

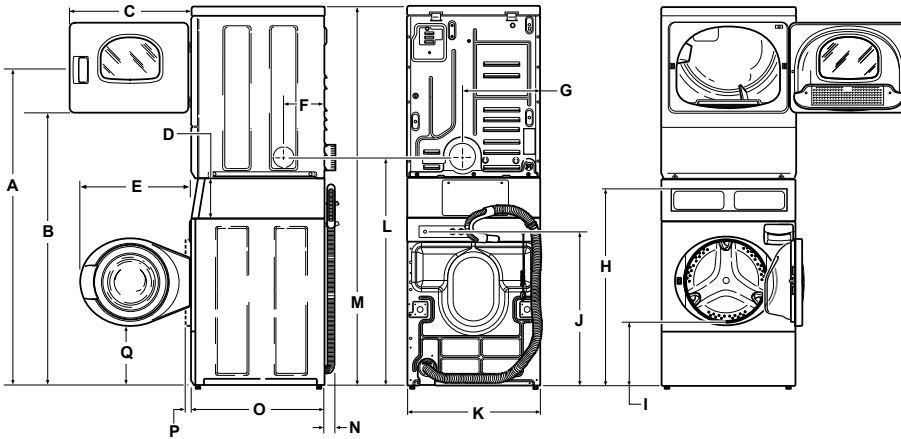
\*Information provided applies to premier control offered by product class.



## Dimensions

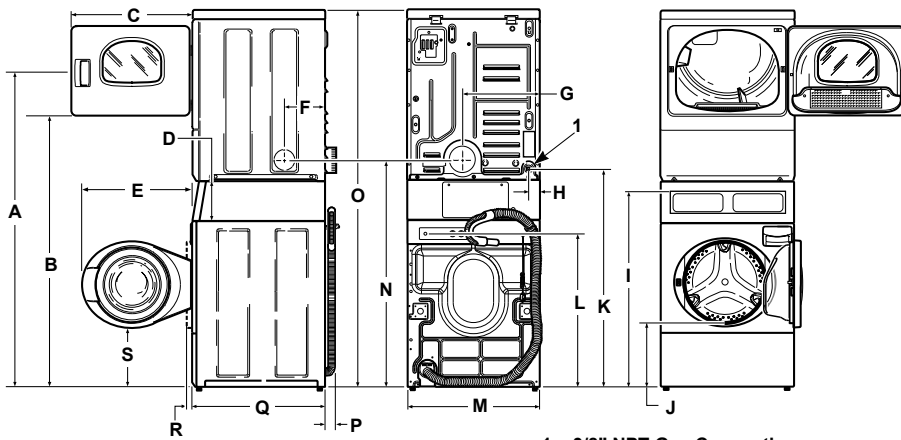
### Stack Washer/Dryer – electric

|               | A     | B     | C   | D   | E   | F   | G   | H    | I    | J    | K   | L     | M     | N  | O   | P  | Q    |
|---------------|-------|-------|-----|-----|-----|-----|-----|------|------|------|-----|-------|-------|----|-----|----|------|
| <b>STENXA</b> | 1678* | 1447* | 597 | 213 | 610 | 203 | 391 | 938* | 368* | 813* | 683 | 1184* | 1986* | 52 | 704 | 38 | 333* |



### Stack Washer/Dryer – gas

|               | A     | B     | C   | D   | E   | F   | G   | H  | I    | J    | K     | L    | M   | N     | O     | P  | Q   | R  |
|---------------|-------|-------|-----|-----|-----|-----|-----|----|------|------|-------|------|-----|-------|-------|----|-----|----|
| <b>STGNXA</b> | 1678* | 1447* | 597 | 213 | 610 | 203 | 391 | 59 | 938* | 368* | 1140* | 813* | 683 | 1184* | 1986* | 52 | 704 | 38 |



1 = 3/8" NPT Gas Connection

All measurements are in mm. \*With levelling legs turned into base.

NOTE: Exhaust openings are 102 mm metal ducting.

